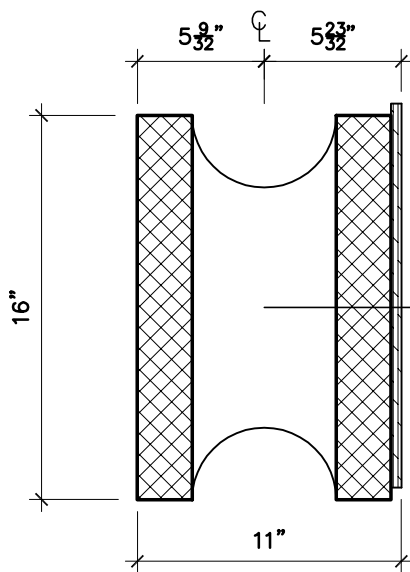
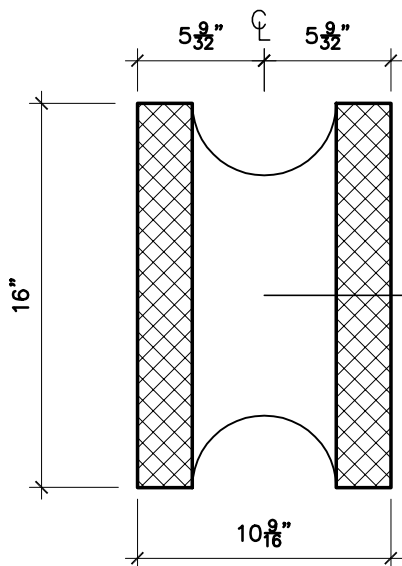


STANDARD

7/16" FACING  
EACH SIDE



7/16" FACING  
(1) SIDE



UNFACED

**TECHBLOCK**