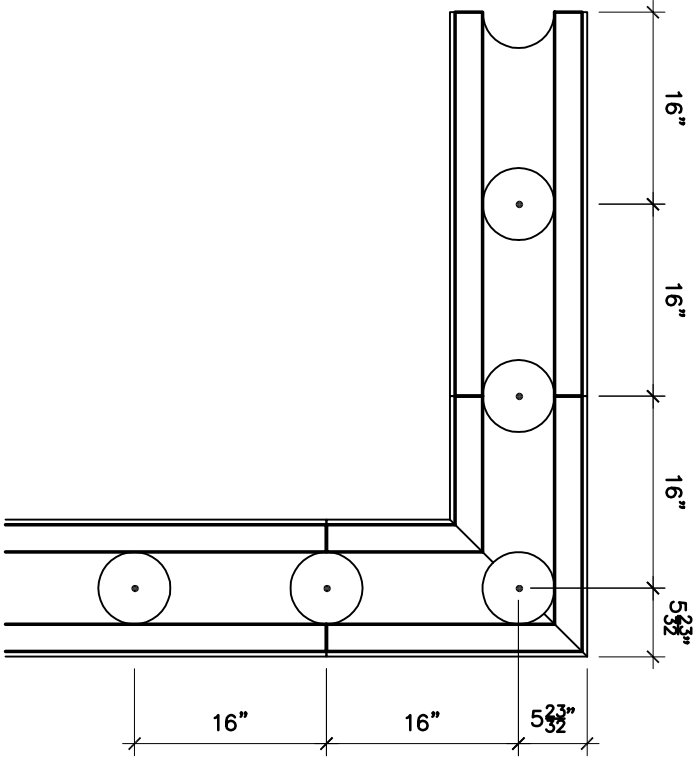
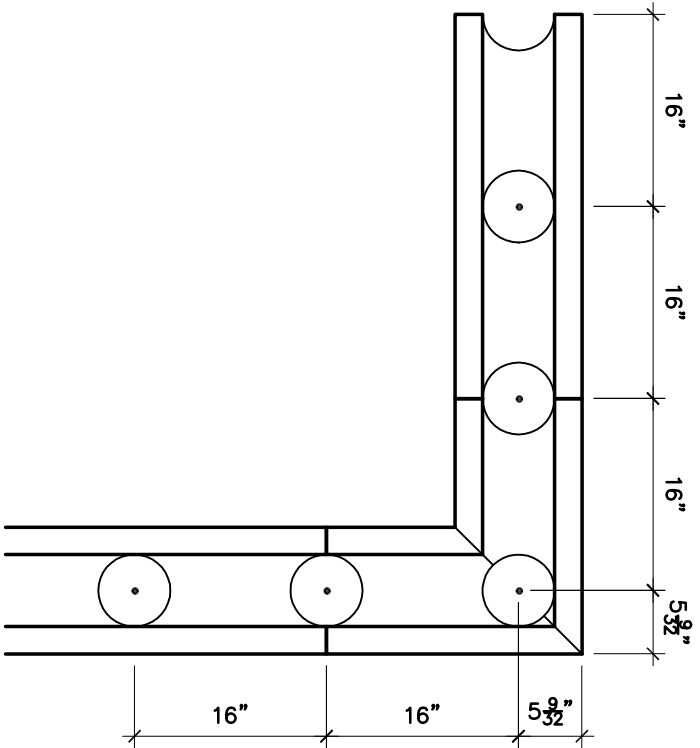


TYPICAL BLOCK / VERTICAL REBAR LAYOUT



STANDARD
7/16" FACING
EACH SIDE



UNFACED

TECH BLOCK